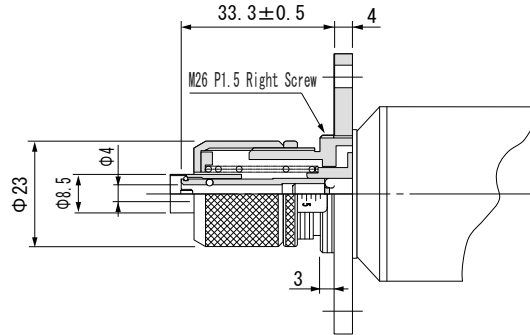
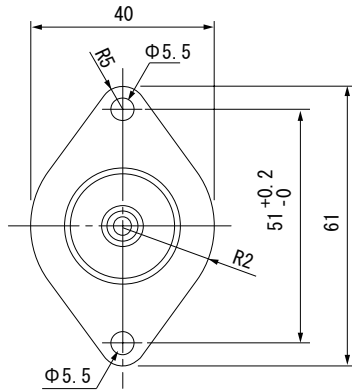


# BLF-2000



The flange can be removed by turning it counter-clockwise

Dimensional drawings in mm